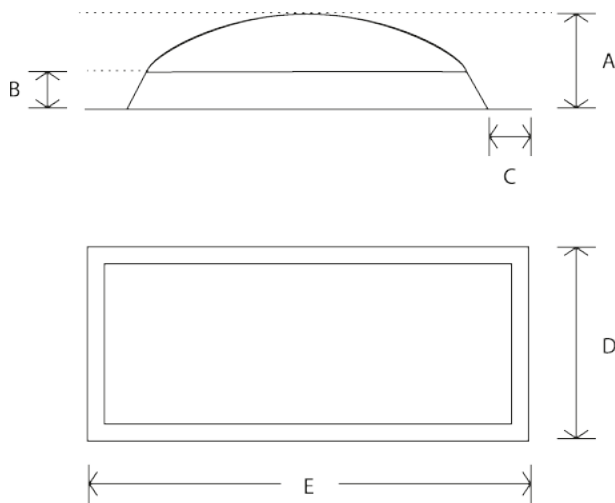


REPLACEMENT DOME QUOTE

To give you the best possible price on the domes you require, we need the following information.

Dimensions Square/Rectangular Domes



A:

B:

C:

D:

E:

Other Details

Colour:

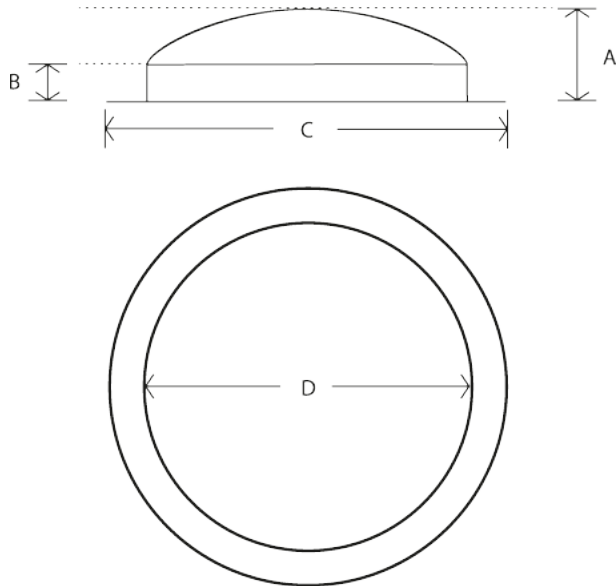
Opal
 Tint
 Clear

Quantity:

Factory Pickup:

Yes
 No

Round Domes



A:

B:

C:

D:

Other Details

Colour:

Opal Tint Clear

Quantity:

Factory Pickup:

Yes No

Contact Details

Name:

Email:

Phone Number:

Address:

State:

Postcode: